

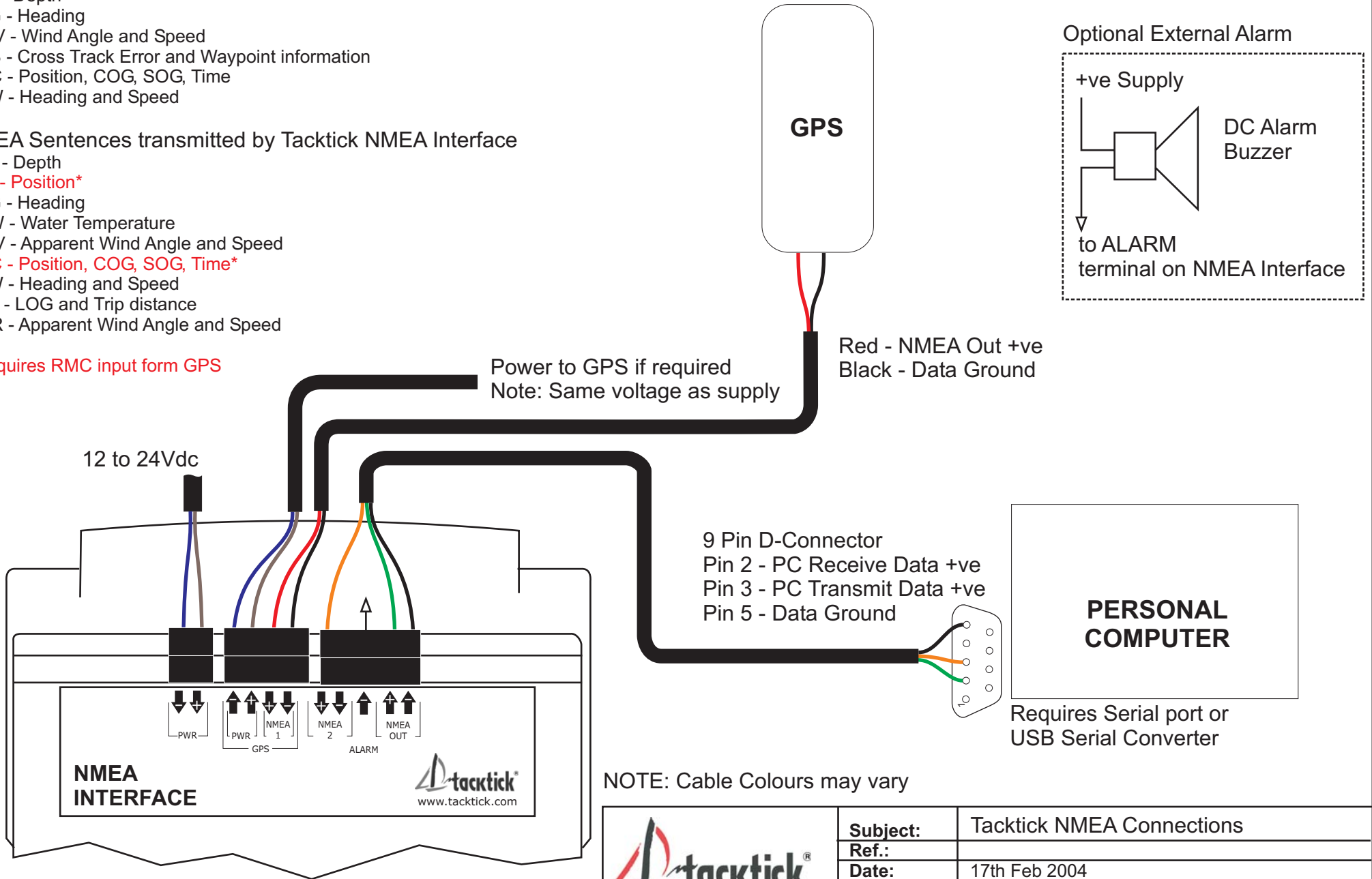
NMEA Sentences received by Tacktick NMEA Interface

- DPT - Depth
- HDG - Heading
- MWV - Wind Angle and Speed
- RMB - Cross Track Error and Waypoint information
- RMC - Position, COG, SOG, Time
- VHW - Heading and Speed

NMEA Sentences transmitted by Tacktick NMEA Interface

- DPT - Depth
- GLL - Position*
- HDG - Heading
- MTW - Water Temperature
- MWV - Apparent Wind Angle and Speed
- RMC - Position, COG, SOG, Time*
- VHW - Heading and Speed
- VLW - LOG and Trip distance
- VWR - Apparent Wind Angle and Speed

* Requires RMC input form GPS



	Subject:	Tacktick NMEA Connections
	Ref.:	
	Date:	17th Feb 2004
	Drawn by:	Steve Moore